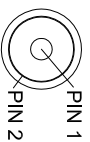


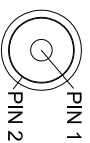
# VIEW A



WHITE FEMALE PHONO  
MATING FACE

PIN #	WIRE COLOUR	DESCRIPTION
1	WHITE	LEFT AUDIO
2	SCREEN	GROUND

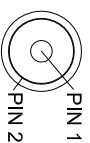
# VIEW B



RED FEMALE PHONO  
MATING FACE

PIN #	WIRE COLOUR	DESCRIPTION
1	RED	RIGHT AUDIO
2	SCREEN	GROUND

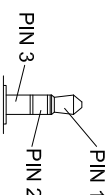
# VIEW C



YELLOW FEMALE  
PHONO MATING FACE

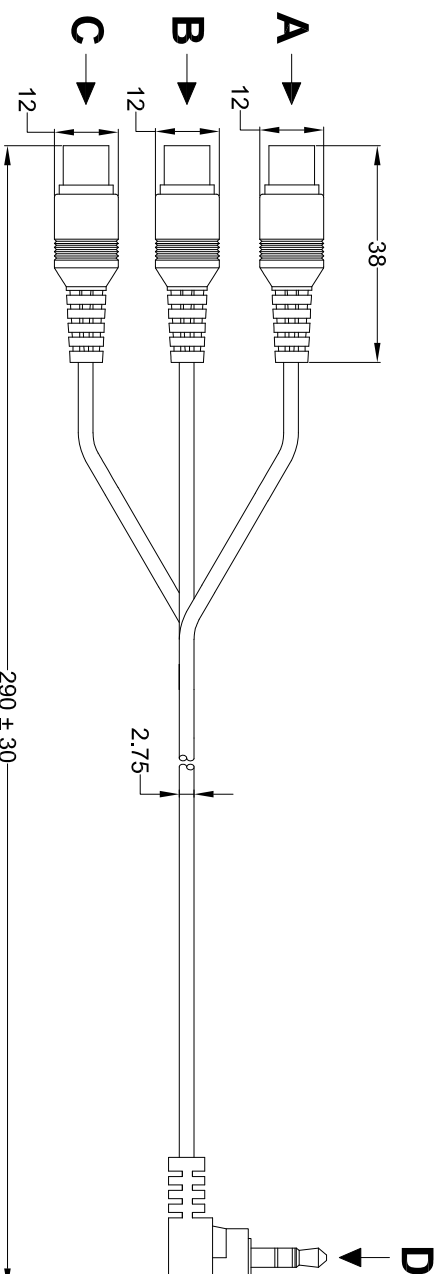
PIN #	WIRE COLOUR	DESCRIPTION
1	YELLOW	VIDEO INPUT
2	SCREEN	GROUND

# VIEW D



3.5MM 3 POLE  
MALE JACK

PIN #	WIRE COLOUR	DESCRIPTION
1	YELLOW	VIDEO INPUT
2	RED & WHITE	AUDIO LEFT & RIGHT
3	SCREEN	GROUND



NOTES:  
1. DIMENSIONS IN MM.

PROPRIETARY NOTICE  
THIS DESIGN AND TECHNICAL INFORMATION APPEARING ON THIS DRAWING IS THE PROPERTY OF BRIGADE ELECTRONICS PLC AND IS DISCLOSED IN CONFIDENCE. IT IS NOT TO BE COPIED, REPRODUCED, REVEALED TO OR APPROPRIATE BY OTHERS, EITHER IN WHOLE OR IN PART WITHOUT THE EXPRESS WRITTEN CONSENT OF BRIGADE ELECTRONICS PLC.

ASSEMBLY PLANT REF: TBD

Item#	Quantity	Title/Name, designation, material, dimension etc	Article No./Reference
Designed by MBOULIER	Checked by BCHLDS	Approved by - date DIEBAL	Date 16/06/10
BRIGADE ELECTRONICS		AC-027 (#3198)	Scale N/A
		BE-001086-00-10	Edition A
			Sheet 1/1